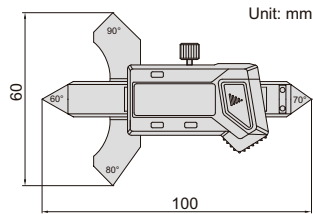
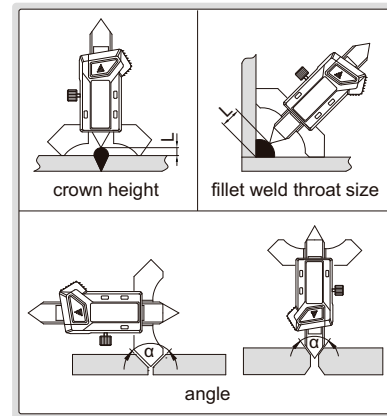


DIGITAL WELDING GAGE

ATTENTION:
NO DATA OUTPUT



- Buttons: zero, mm/inch, on/off
- Battery LR44
- Made of stainless steel



Code	Measurement	Range	Resolution	Accuracy
4831-20A	crown height	0-7mm	0.01mm/0.0005"	±0.03mm
	fillet weld throat size	0-20mm	0.01mm/0.0005"	±0.1mm
	angle	60°, 70°, 80°, 90°	—	±1°